

## **ATX to XBOX Converter 2 Install Guide 1.0**

This device will enable an ATX power supply to power an Xbox1 1.0–1.5.

To find out which Xbox version you have, visit:

<http://www.xbox-scene.com/versions.php>

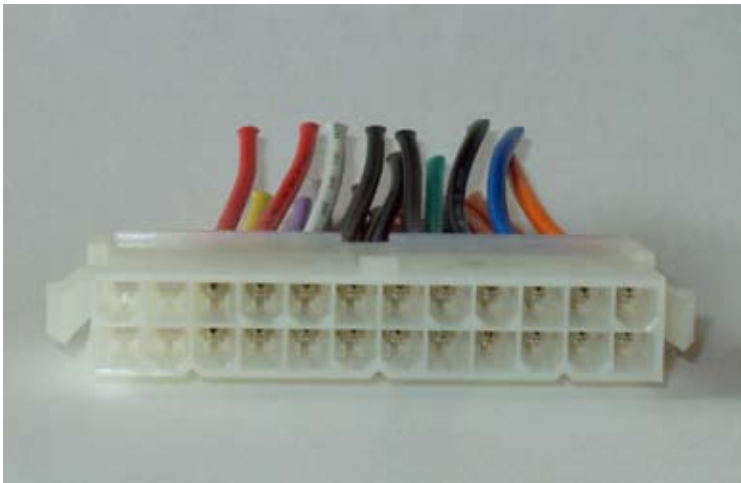
<b>Xbox versions 1.0–1.1</b>	<b>Pages 2–3</b>
<b>Xbox versions 1.2–1.5</b>	<b>Pages 4–5</b>
<b>Example Installs</b>	<b>Page 6</b>
<b>Troubleshooting</b>	<b>Page 6</b>

## **Install Guide for Xbox versions 1.0 – 1.1**

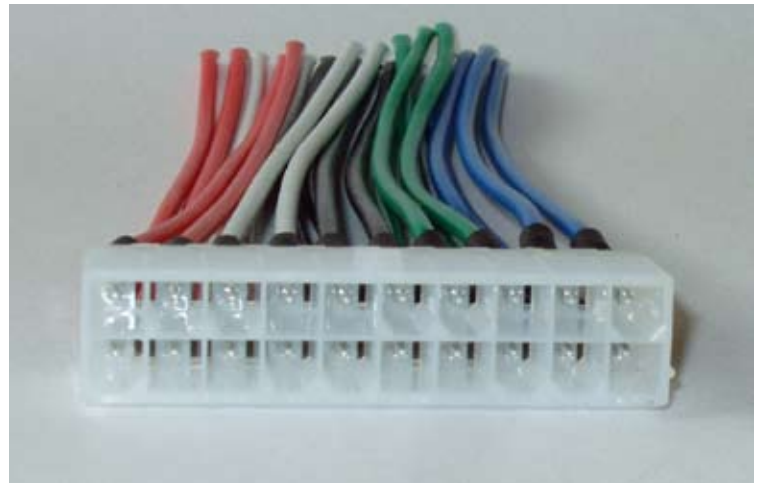
To avoid cutting into your power supply, you may use a male connector (found in our shop) that fits your power supply (20-pin or 24-pin). If you do not use a connector, you can cut the connector off of the end of your power supply and solder the wires directly to the holes of the Converter. For the Xbox connector, you must cut the 12-pin female connector from your original Xbox power supply and wire that to the converter.

Solder each of the wires from your ATX PSU (or male end of an ATX Extender) to the holes along the bottom half of the PSU Converter. Pay close attention to the location of the wires to make sure they are installed to their proper positions. The wires should come out of the top of the Converter (solder underneath) and the connector clip should be facing the edge.

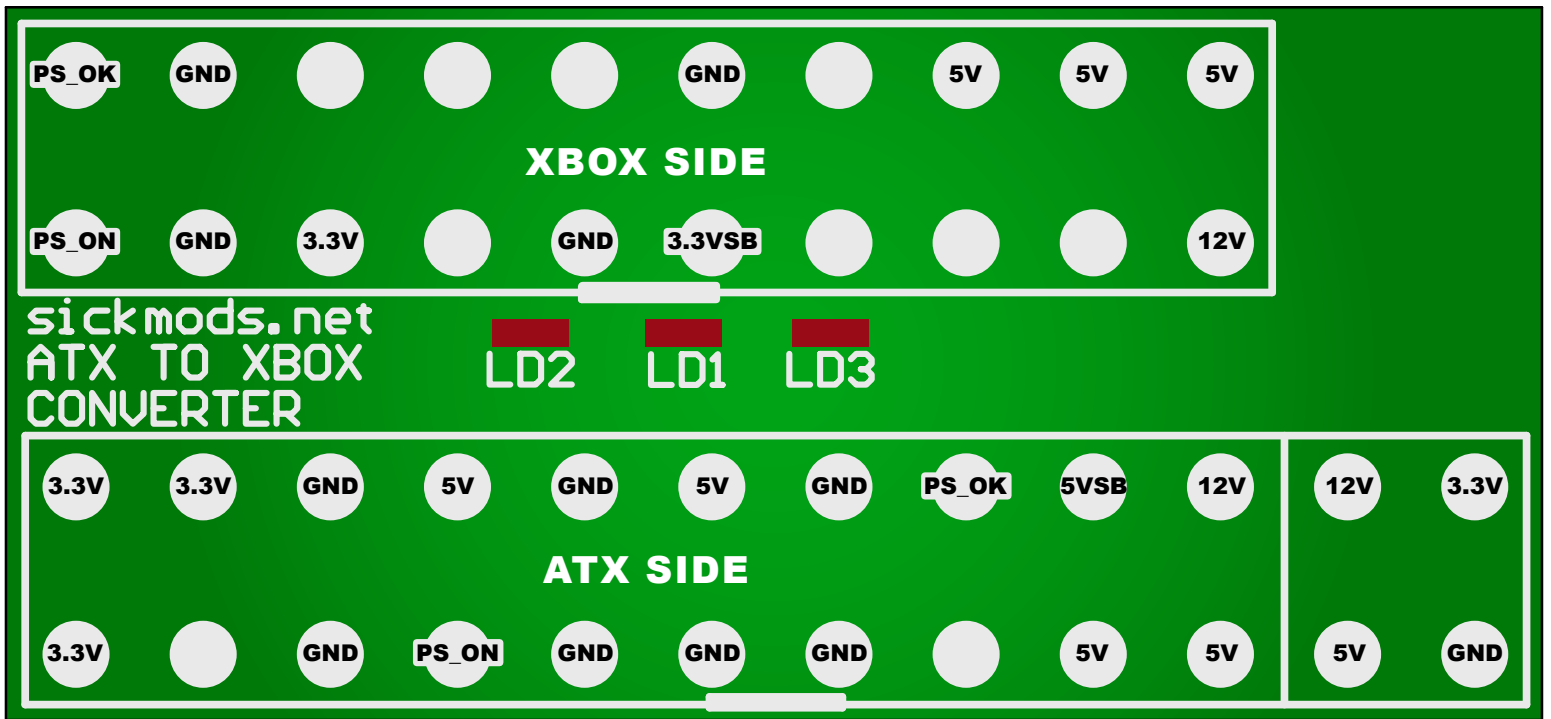
Solder the 12-pin female connector to the holes along the top half of the PSU Converter. This connector will plug into the Xbox motherboard. Pay close attention to the location of the wires to make sure they are installed to their proper positions.



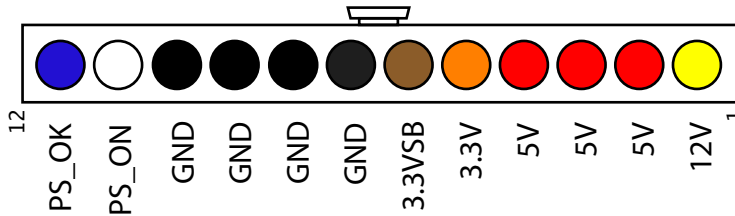
**24-Pin Male Connector**



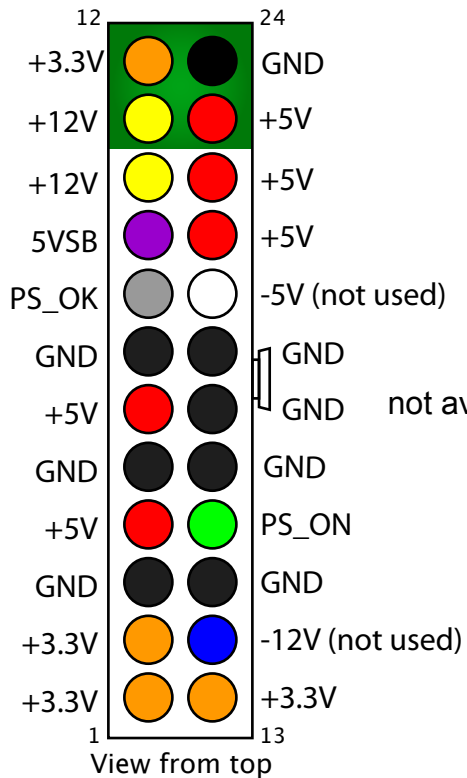
**20-Pin Male Connector**



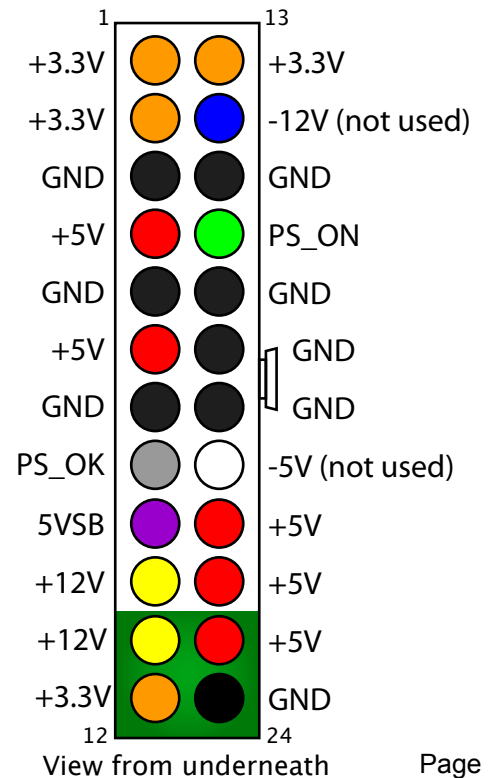
**Xbox 1.0-1.1 Connector**



**ATX Molex Connector**



Extra four pins  
 marked in green  
 not available on all power supplies.  
 Wire colors may vary.



## Install Guide for Xbox versions 1.2 – 1.5

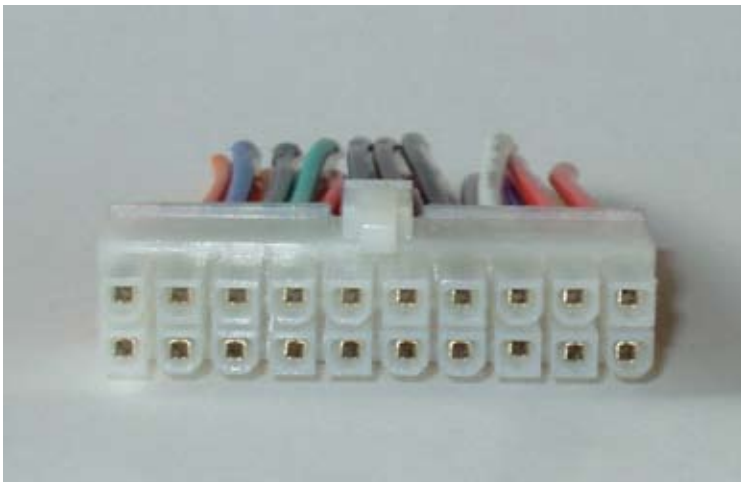
To avoid cutting into your power supply, you may use a male connector (found in our shop) that fits your power supply (20-pin or 24-pin). If you do not use a connector, you can cut the connector off of the end of your power supply and solder the wires directly to the holes of the Converter. For the Xbox connector, you may use the 20-pin female connector from your original Xbox power supply or use one found in our shop.

Solder each of the wires from your ATX PSU (or male end of an ATX connector) to the holes along the bottom half of the PSU Converter. Pay close attention to the location of the wires to make sure they are installed to their proper positions. The wires should come out of the top of the Converter (solder underneath) and the connector clip should be facing the edge.

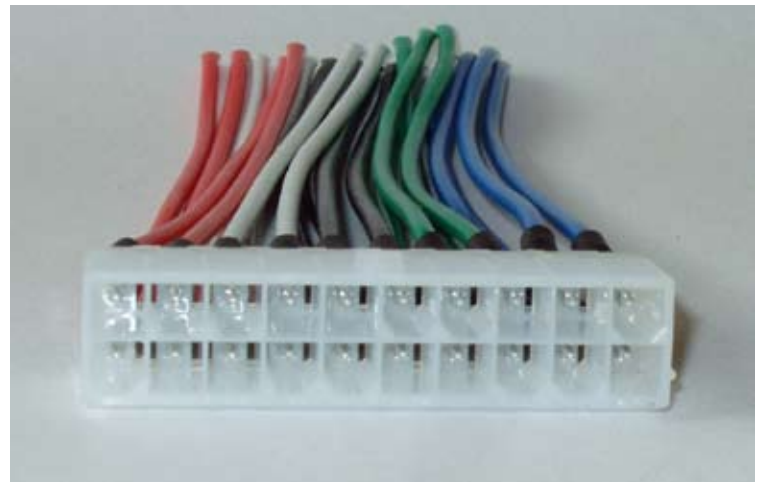
Solder the 20-pin female connector to the holes along the top half of the PSU Converter. This connector will plug into the Xbox motherboard. Pay close attention to the location of the wires to make sure they are installed to their proper positions. The wires should come out of the top of the Converter (solder underneath) and the connector clip should be facing the center.



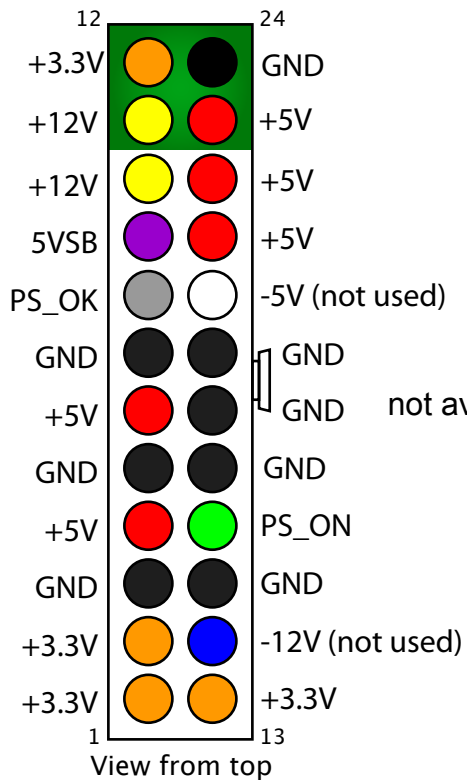
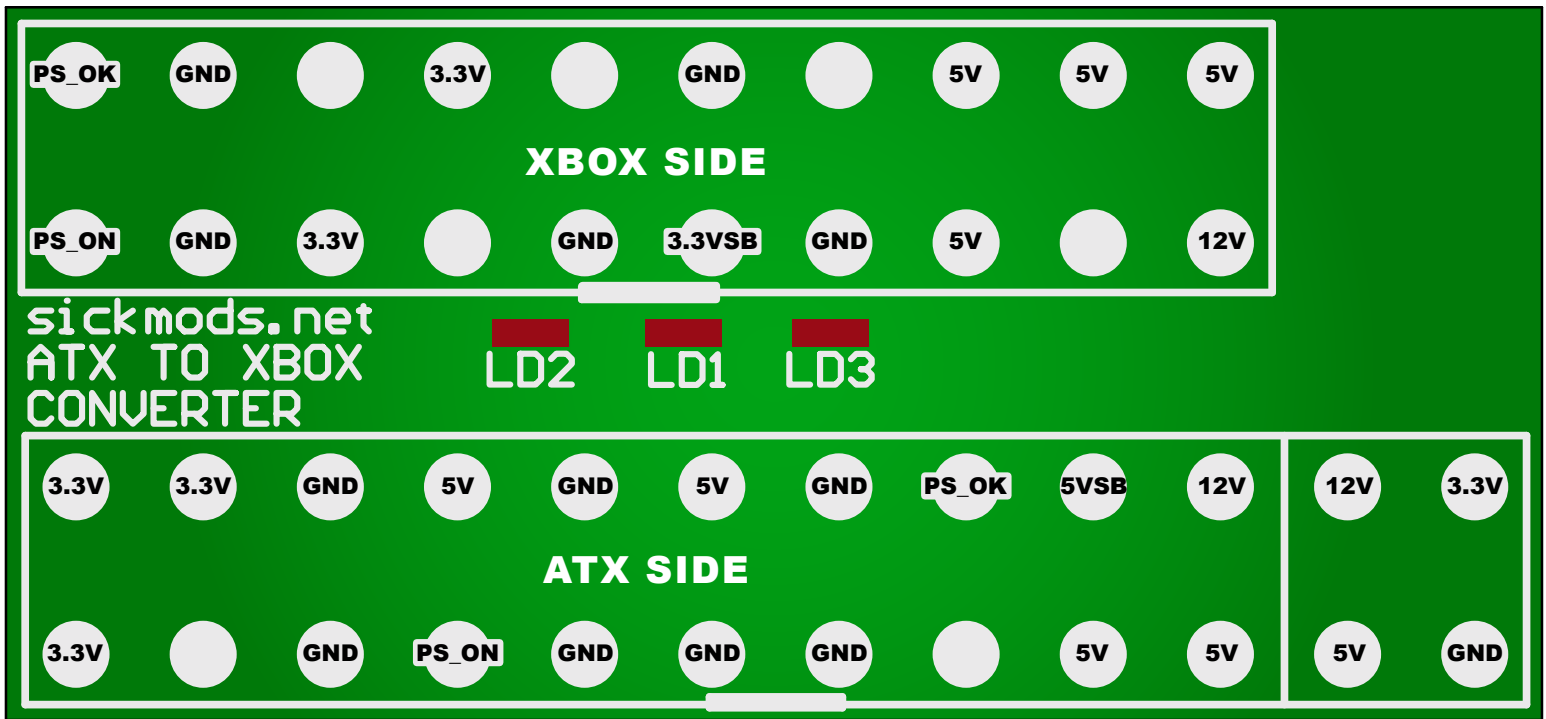
**24-Pin Male Connector**



**20-Pin Female Connector**



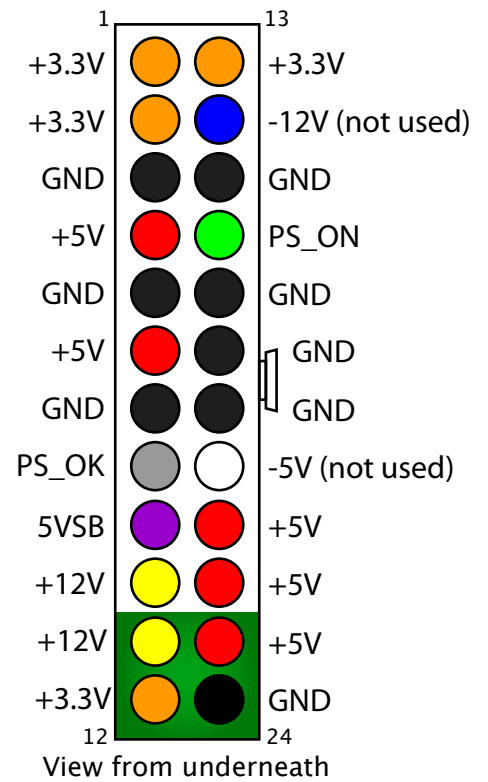
**20-Pin Male Connector**

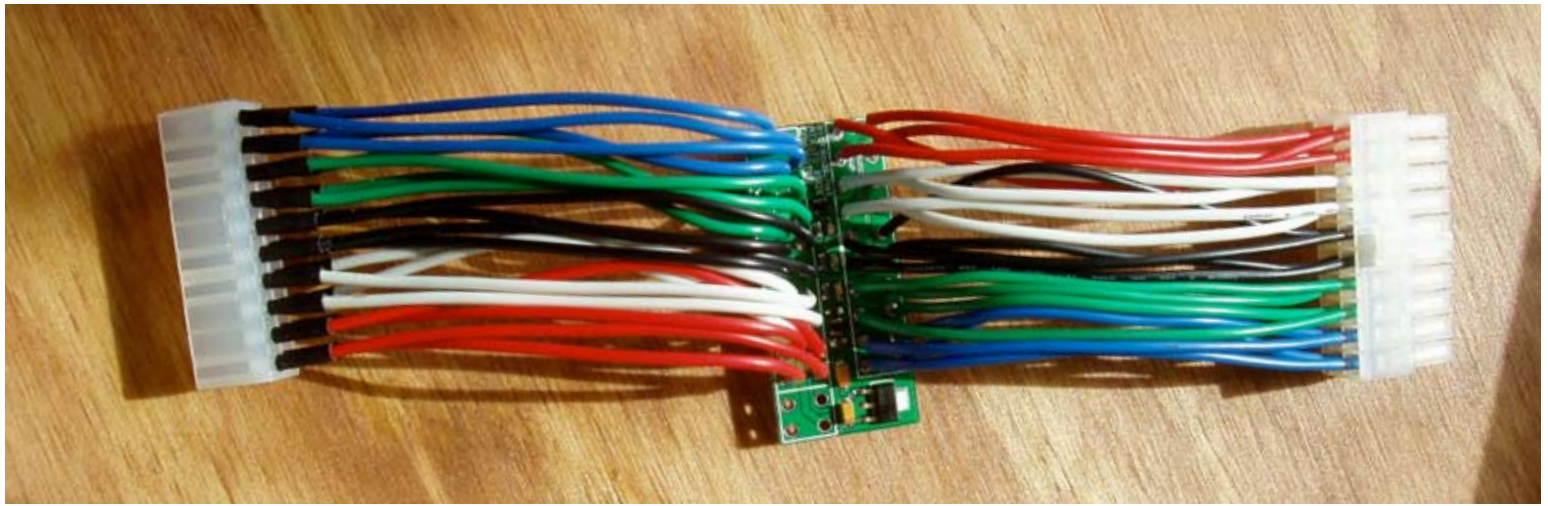


**ATX Molex Connector**

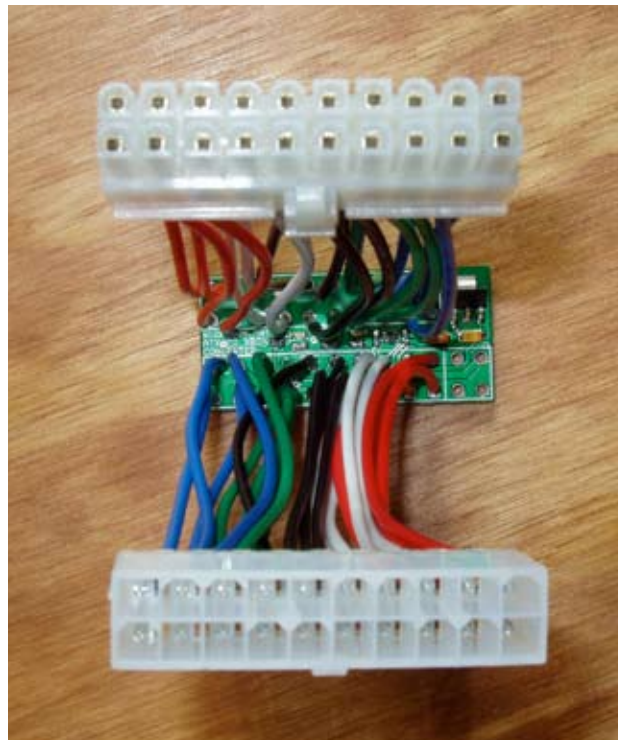
Extra four pins marked in green not available on all power supplies.

Wire colors may vary.





**Example install for an Xbox 1.2-1.5 using connectors.**



### **Troubleshooting LEDs**

Your Converter has 3 red LEDs built-in, which will light up to let you know everything is working.

LD1 (center) will light up when the Converter is successfully receiving a standby signal. This light will always be on when your power supply is on. LD2 (left) will light up when you press the power button on your Xbox. This is the PS\_ON signal, which tells your power supply to turn on. LD3 (right) will then light up. This is the PS\_OK signal, which tells the Xbox that the power supply successfully powered up.

When the Xbox is running, all three lights will be on. When the Xbox is off (and your power supply is still on), only the center LED will light. If your Xbox is not turning on properly, check the wires associated with the LED that does not light up and try again.

For additional help, please visit our support forums at <http://forums.sickmods.net/>